

Adjustable handles

- **Glass-fibre reinforced polyamide based (PA) technopolymer lever body.**

Resistant to solvents, oils, greases and other chemical agents.

- **Grey-black** standard colour with matte finish.

- Comfortable technopolymer **push button**, in one of the Ergostyle colours, with glossy finish.

- Technopolymer **tightening element** with knurling on the projecting part to make initial tightening easier. Number of teeth z indicated in the table.

- **AISI 303 stainless steel insert** with tapped blind hole.

- Technopolymer **axial retaining pin**. AISI 302 stainless steel return spring.

Particularly suitable when the lever turning angle is limited owing to lack of space.

To adjust during clamping, lift the lever to disengage clamping device toothing and bring it back to start position. By releasing the lever, the return spring automatically engages toothing once again. The slightly arched shape of the handle with the ergonomic terminal enlargement gives the operator a comfortable and safe grip, while the thumb rests naturally on the push button.

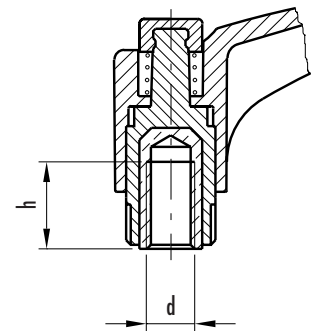
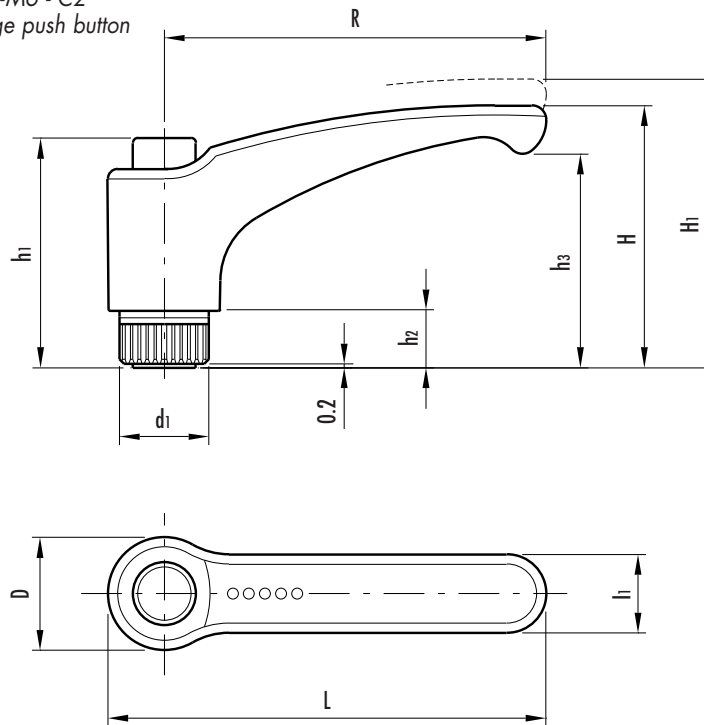
Stress resistance (see description on page 305).

When ordering please complete the code and the description of the element needed specifying the colour of the push button (see the available colours shown above the dimensions table).

Sample order:

235106 - C2 ERX.44 SST-M6 - C2

Adjustable handle with orange push button



5

308

Ergostyle

C 1: RAL 7021

C 2: RAL 2004

C 3: RAL 7035

C 4: RAL 1021

C 5: RAL 5024

C 6: RAL 3000

| Standard elements | | Main dimensions | | | | | | | | | | Mounting hole | | Teeth no. | Weight |
|----------------------|-------------------------------------|-----------------|------|------|------|----|------|----|------|------|------|---------------|----------|-----------|----------|
| Code ▲ | Description ▲ | R | L | D | H | H1 | h1 | h2 | h3 | d1 | l1 | d 6H | h | z | grams |
| 235101 - 235106 - | ERX.44 SST-M5 - ERX.44 SST-M6 - | 44 | 52 | 15.5 | 32.5 | 36 | 29.5 | 6 | 25 | 12 | 11 | M5 M6 | 6 10 | 18 | 11 10 |
| 235131 - 235136 - | ERX.63 SST-M6 - ERX.63 SST-M8 - | 63 | 73.5 | 19 | 43 | 47 | 37.5 | 8 | 34.5 | 15 | 13.5 | M6 M8 | 12 13 | 20 | 22 20 |
| 235151 - 235156 - | ERX.78 SST-M8 - ERX.78 SST-M10 - | 78 | 90.5 | 23 | 54 | 58 | 47 | 12 | 44 | 19 | 16 | M8 M10 | 13 17 | 24 | 46 44 |
| 235176 - | ERX.95 SST-M12 - | 95 | 109 | 26.5 | 64.5 | 69 | 54.5 | 13 | 53 | 21.5 | 18 | M12 | 20 | 26 | 52 |

▲ Complete the code and the description of the standard item needed specifying the index of the colour of the push button.