

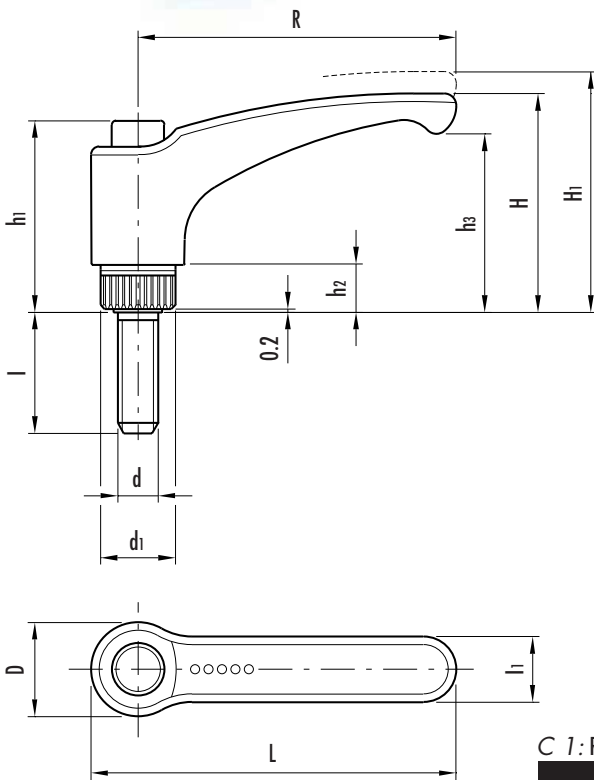


Adjustable handles with threaded stud

- **Glass-fibre reinforced polyamide based (PA) technopolymer lever body.**
Resistant to solvents, oils, greases and other chemical agents.
- **Grey-black** standard colour with matte finish.
- Comfortable technopolymer **push button**, in one of the Ergostyle colours, with glossy finish.
- Technopolymer **tightening element** with knurling on the projecting part to make initial tightening easier. Number of teeth *z* indicated in the table.
- **AISI 303 stainless steel threaded stud** with chamfered end according to UNI 947: ISO 4753 table.
- Technopolymer **axial retaining pin**. AISI 302 stainless steel return spring.

Particularly suitable when lever turning angle is limited owing to lack of space. To adjust during clamping, lift lever to disengage clamping device toothing and bring back to start position. Releasing the lever, the return spring automatically engages toothing once again. The slightly arched shape of the handle with the ergonomic terminal enlargement gives the operator a comfortable and safe grip, while the thumb rests naturally on the push button.

Stress resistance (see description on page 307).



When ordering please complete the code and the description of the element needed specifying the colour of the push button (see the available colours shown above the dimensions table).

Sample order:
235221 - C2 ERX.44 SST-p-M6x16 - C2
Adjustable handle with orange push button



Standard elements		Main dimensions										Threaded stud		Teeth no.	Weight
Code ▲	Description ▲	R	L	D	H	H1	h1	h2	h3	d1	l1	d 6g	l	z	grams
235221 - 235231 -	ERX.44 SST-p-M6x16 - ERX.44 SST-p-M6x25 -	44	52	15.5	32.5	36	29.5	6	25	12	11	M6 M6	16 25	18	14 17
235431 - 235436 - 235441 - 235446 -	ERX.63 SST-p-M8x16 - ERX.63 SST-p-M8x20 - ERX.63 SST-p-M8x25 - ERX.63 SST-p-M8x30 -	63	73.5	19	43	47	37.5	8	34.5	15	13.5	M8 M8 M8 M8	16 20 25 30	20	31 32 33 36
235716 - 235726 - 235736 - 235771 - 235781 - 235786 -	ERX.78 SST-p-M10x20 - ERX.78 SST-p-M10x30 - ERX.78 SST-p-M10x40 - ERX.78 SST-p-M12x30 - ERX.78 SST-p-M12x40 - ERX.78 SST-p-M12x50 -	78	90.5	23	54	58	47	12	44	19	16	M10 M10 M10 M12 M12 M12	20 30 40 30 40 50	24	58 64 67 74 77 79
235901 - 235911 - 235921 - 235941 -	ERX.95 SST-p-M12x30 - ERX.95 SST-p-M12x40 - ERX.95 SST-p-M12x50 - ERX.95 SST-p-M12x70 -	95	109	26.5	64.5	69	54.5	13	53	21.5	18	M12 M12 M12 M12	30 40 50 70	26	87 90 93 98

▲ Complete the code and the description of the standard item needed specifying the index of the colour of the push button.