

# ERZ.SST-p

INOX  
Stainless  
Steel

ELESA original design

## Adjustable handles with threaded stud

- **Glass-fibre reinforced polyamide based (PA) technopolymer lever body.**

Resistant to solvents, oils, greases and other chemical agents.

- **Grey-black** standard colour with matte finish.

- **Zinc alloy toothed element** to couple to the clamping element.

- **AISI 303 stainless steel clamping element**, with stud and toothing to couple to the lever body. Stud with chamfered end according to UNI 947: ISO 4753 table. Number of teeth  $z$  shown in the table.

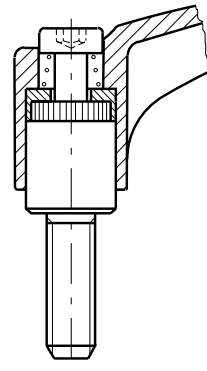
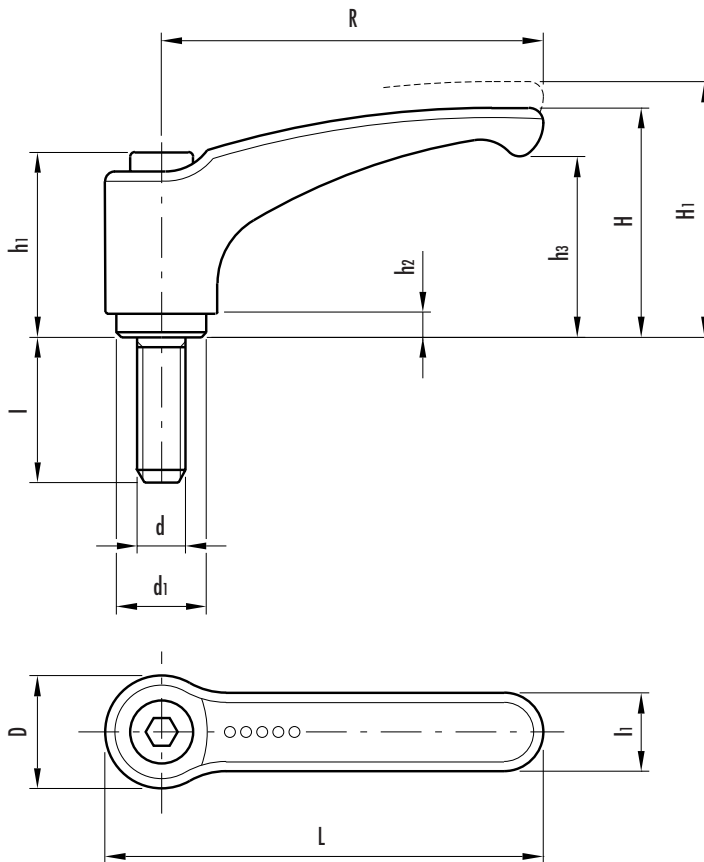
- **AISI 303 stainless steel set screw** and retaining spring.

**The internal teeth of the handle are formed in a zinc alloy element moulded into the technopolymer lever.** The engagement of these teeth with the central insert is completely metallic offering great strength and allowing easy modifications in order to create special versions.

Sample order:

239255 ERZ.44 SST-p- M6x16

Adjustable handle with threaded stud



5

314

Ergostyle

Standard elements		Main dimensions										Threaded stud		Teeth no.	Weight											
Code	Description	R	L	D	H	H1	h1	h2	h3	d1	l1	d 6g	l	z	grams											
239233	ERZ.44 SST-p-M5x12	44	52	15.5	30.5	34	24.5	3.5	22.5	10	11	M5	12	18	17											
239235	ERZ.44 SST-p-M5x16											M5	16		18											
239237	ERZ.44 SST-p-M5x20											M5	20		19											
239239	ERZ.44 SST-p-M5x25											M5	25		20											
239241	ERZ.44 SST-p-M5x32											M5	32		21											
239243	ERZ.44 SST-p-M5x40											M5	40		22											
239245	ERZ.44 SST-p-M5x50											M5	50		23											
239253	ERZ.44 SST-p-M6x12											M6	12		19											
239255	ERZ.44 SST-p-M6x16											M6	16		20											
239257	ERZ.44 SST-p-M6x20											M6	20		20											
239259	ERZ.44 SST-p-M6x25											M6	25		21											
239423	ERZ.44 SST-p-M6x32											M6	32		23											
239425	ERZ.44 SST-p-M6x40											M6	40		24											
239427	ERZ.44 SST-p-M6x50											M6	50		27											
239429	ERZ.63 SST-p-M6x16	63	73.5	19	38.5	42	31	3.5	30	13.5	13.5	M6	16	24	40											
239431	ERZ.63 SST-p-M6x20											M6	20		41											
239433	ERZ.63 SST-p-M6x25											M6	25		42											
239435	ERZ.63 SST-p-M6x32											M6	32		43											
239437	ERZ.63 SST-p-M6x40											M6	40		44											
239439	ERZ.63 SST-p-M6x50											M6	50		46											
239441	ERZ.63 SST-p-M6x63											M6	63		48											
239453	ERZ.63 SST-p-M8x16											M8	16		42											
239455	ERZ.63 SST-p-M8x20											M8	20		44											
239457	ERZ.63 SST-p-M8x25											M8	25		46											
239459	ERZ.63 SST-p-M8x32											M8	32		48											
239643	ERZ.63 SST-p-M8x40											M8	40		50											
239645	ERZ.63 SST-p-M8x50											M8	50		54											
239647	ERZ.63 SST-p-M8x63											M8	63		58											
239653	ERZ.78 SST-p-M10x20											78	90.5		23	46.5	50.5	36	3.5	36.5	16	16	M10	20	26	73
239655	ERZ.78 SST-p-M10x25																						M10	25		76
239657	ERZ.78 SST-p-M10x32																						M10	32		81
239659	ERZ.78 SST-p-M10x40	M10	40	86																						
239661	ERZ.78 SST-p-M10x50	M10	50	88																						
239663	ERZ.78 SST-p-M10x63	M10	63	94																						
239665	ERZ.78 SST-p-M10x80	M10	80	102																						
239823	ERZ.95 SST-p-M10x20	95	109	26.5	56.5	61.5	43	5	45	19	18			M10									20	28		113
239825	ERZ.95 SST-p-M10x25											M10	25	115												
239827	ERZ.95 SST-p-M10x32											M10	32	118												
239829	ERZ.95 SST-p-M10x40											M10	40	121												
239831	ERZ.95 SST-p-M10x50											M10	50	128												
239833	ERZ.95 SST-p-M10x63											M10	63	133												
239835	ERZ.95 SST-p-M10x80											M10	80	141												
239849	ERZ.95 SST-p-M12x20											M12	20	117												
239851	ERZ.95 SST-p-M12x25											M12	25	122												
239853	ERZ.95 SST-p-M12x32											M12	32	125												
239855	ERZ.95 SST-p-M12x40											M12	40	131												
239857	ERZ.95 SST-p-M12x50											M12	50	138												
239859	ERZ.95 SST-p-M12x63											M12	63	148												
239861	ERZ.95 SST-p-M12x80											M12	80	160												