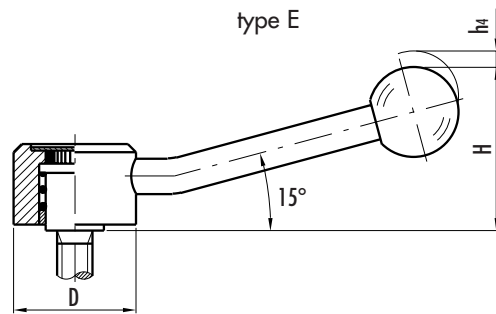
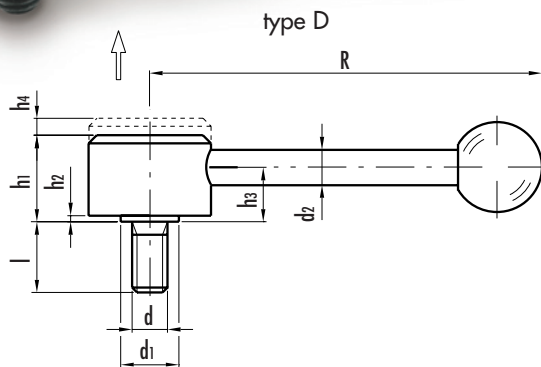




## Adjustable handles with threaded stud

- Black-oxide steel body.
- Black-oxide steel arm with DIN 319 black phenolic based (PF) Duroplast ball knob available in two executions:
  - with straight arm (type D)
  - with inclined arm by a 15° angle (type E).
- Black-oxide steel threaded stud.
- Treated steel spring.
- Natural anodised aluminium boss-cap.



Standard elements	Main dimensions										Threaded stud		Weight
	Description ▲	D	R	H	h1	h2	h3	h4	d1	d2	d 6g	l	grams
GN 125-32-M8-12- GN 125-32-M8-16- GN 125-32-M8-20- GN 125-32-M8-25- GN 125-32-M8-32- GN 125-32-M8-40- GN 125-32-M8-50- GN 125-32-M8-63-	32	100	36	20.5	1.5	12.5	4	13.5	8	M8	12 16 20 25 32 40 50 63	147 148 149 151 153 156 158 163	
GN 125-32-M10-20- GN 125-32-M10-25- GN 125-32-M10-32- GN 125-32-M10-40- GN 125-32-M10-50- GN 125-32-M10-63- GN 125-32-M10-80-	32	100	36	20.5	1.5	12.5	4	13.5	8	M10	20 25 32 40 50 63 80	152 155 159 161 166 173 193	
GN 125-36-M10-16- GN 125-36-M10-20- GN 125-36-M10-25- GN 125-36-M10-32- GN 125-36-M10-40- GN 125-36-M10-50- GN 125-36-M10-63- GN 125-36-M10-80-	36	120	45	24.5	2	15	4.5	16	10	M10	16 20 25 32 40 50 63 80	235 237 239 242 246 252 259 266	
GN 125-36-M12-25- GN 125-36-M12-32- GN 125-36-M12-40- GN 125-36-M12-50- GN 125-36-M12-63- GN 125-36-M12-80-	36	120	45	24.5	2	15	4.5	16	10	M12	25 32 40 50 63 80	245 250 256 263 271 283	
GN 125-40-M12-25- GN 125-40-M12-32- GN 125-40-M12-40- GN 125-40-M12-50- GN 125-40-M12-63- GN 125-40-M12-80-	40	130	50	26.5	2	16	4.5	19	12	M12	25 32 40 50 63 80	336 342 348 355 364 376	
GN 125-45-M16-32- GN 125-45-M16-40- GN 125-45-M16-50- GN 125-45-M16-63- GN 125-45-M16-80-	45	145	60	31.5	2	20	5	23	12	M16	32 40 50 63 80	488 498 512 529 549	

▲ Complete the description of the standard item needed specifying the type of lever D (straight) or E (inclined).