

Indexing plungers with rest position



- **Body and plunger**

AISI 303 stainless steel. Matching hole for plunger is suggested in H7 tolerance.

- **Locking nut**

Type A: without locking nut.

Type AK: with stainless steel locking nut.

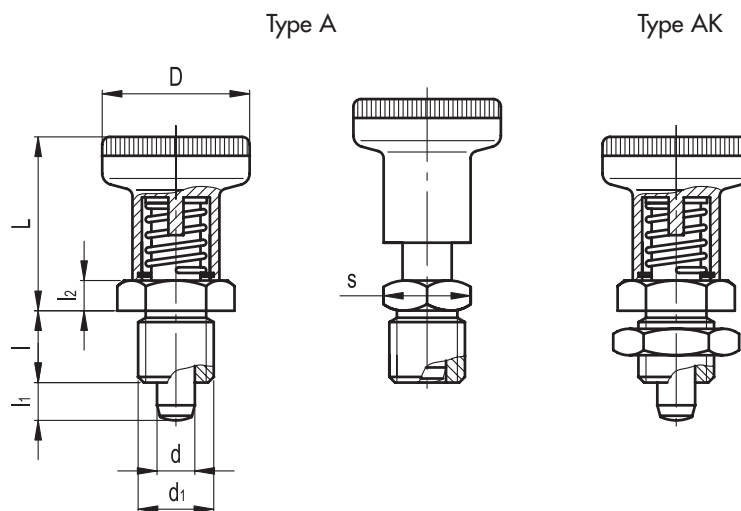
- **Knurled knobs**

Polyamide-based (PA) technopolymer, black colour. Resistant to solvents, oils, greases and other chemical agents.

Characteristics and applications

GN 607 indexing plungers have compact dimensions and are used where positioning operations are required in very limited overall clearance and where the plunger needs to be locked in the retracted position.

The high corrosion resistance of AISI 303 stainless steel, makes these elements particularly suitable for applications on machines and equipment for the food processing, chemical and pharmaceutical industry.



Standard elements	Main dimensions								Spring pressure		Axial holding force [N]	Weight grams
	Description	d ^{-0.02/-0.04}	d1	D	L	l ^{-0.15}	l1	l2	s	Preload [N~]		
GN 607.1-6-A-NI	6	M12x1.5	25	29	10	6	5	17	8.5	22	400	34
GN 607.1-8-A-NI	8	M16x1.5	31	34	12	8	6	19	15.5	28	500	59
GN 607.1-6-AK-NI	6	M12x1.5	25	29	10	6	5	17	8.5	22	400	42
GN 607.1-8-AK-NI	8	M16x1.5	31	34	12	8	6	19	15.5	28	500	75