

GN 607.2

Indexing plungers

- **Body**
Zinc-plated steel, blue passivated.
- **Plunger**
AISI 303 stainless steel, chemically nickel-plated.
- **Centre bush**
Zinc-plated steel.
- **Knurled knobs**
Polyamide-based (PA) technopolymer, black colour. Resistant to solvents, oils, greases and other chemical agents.

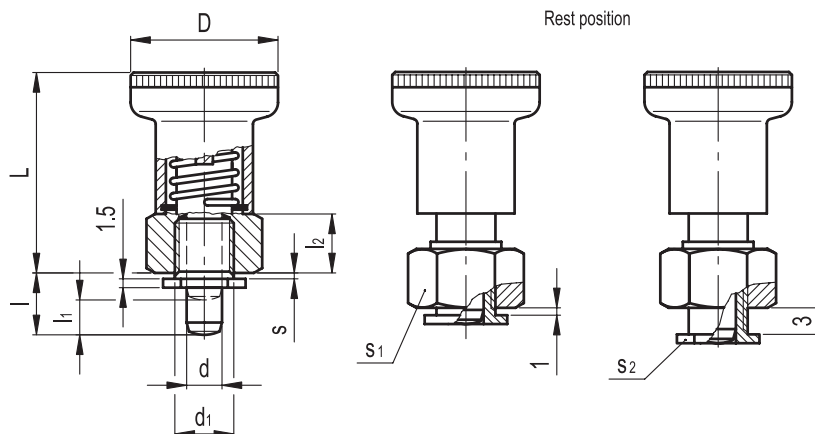
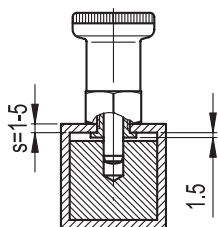


Characteristics and applications

GN 607.2 indexing plungers can be assembled on thin section metal sheets (from 1 to 5 mm). The indexing plunger nose may not be able to retract completely in its starting position depending on the thickness of the metal sheet "s", the protruding length "l" and the position of the nut on its centre bush.

A double ring spanner (1 mm thick zinc plated sheet steel) for installing this indexing plunger GN 607.2 is available under reference no GN 607.9-SW14-SW16.

Application example



Standard elements	Main dimensions										Spring pressure		Tensile strenght [N]	Weight grams	Spanner description
	d ^{-0.02/-0.04}	L	d ₁	D	l	l ₁	l ₂	s	s ₁	s ₂	Preload [N]	Max load [N]			
GN 607.2-6-8.5-ST GN 607.2-6-10.5-ST	6	34	10	25	8.5 10.5	6	10	1÷5	17	14	8.5	22	400	40 42	607.9-SW14-SW16
GN 607.2-8-10-ST GN 607.2-8-12-ST	8	40	12	31	10 12	7.5	12	1÷5	19	16	15.5	28	500	62 65	607.9-SW14-SW16



Indexing plungers

- **Body**
Zinc-plated steel, blue passivated.
- **Plunger**
AISI 303 stainless steel, chemically nickel-plated.
- **Centre bush**
Zinc-plated steel.
- **Knurled knobs**
Polyamide-based (PA) technopolymer, black colour. Resistant to solvents, oils, greases and other chemical agents.

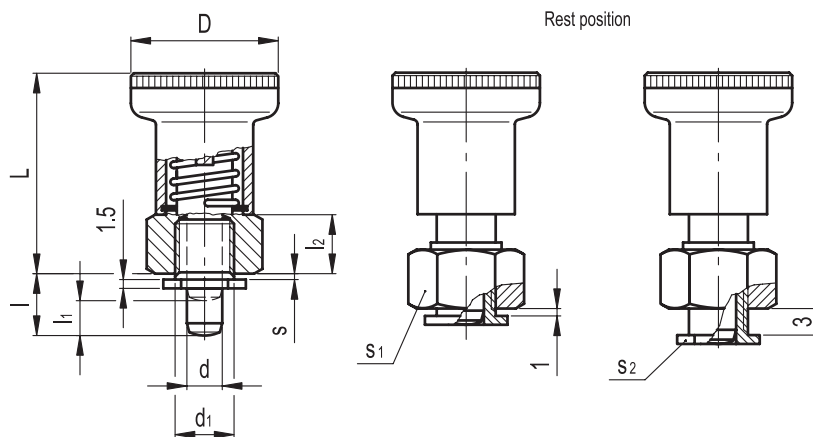
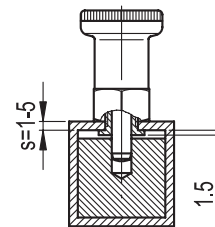
Characteristics and applications

GN 607.3 indexing plungers can be assembled on thin section metal sheets (from 1 to 5 mm). The indexing plunger nose may not be able to retract completely in its starting position depending on the thickness of the metal sheet "s", the protruding length "l" and the position of the nut on its centre bush.

A double ring spanner (1 mm thick zinc plated sheet steel) for installing this indexing plunger GN 607.3 is available under reference no GN 607.9 - SW14-SW16.

They are especially designed for applications where the plunger needs to be locked in the retracted position.

Application example



Standard elements	Main dimensions										Spring pressure		Tensile strength [N]	Weight	Spanner
											Preload [N]	Max load [N]			
GN 607.3-6-8-5-ST GN 607.3-6-10-5-ST	d ^{-0.02} _{-0.04}	L	d1	D	l	l1	l2	s	s1	s2	8.5	22	400	40 42	607.9-SW14-SW16
GN 607.3-8-10-ST GN 607.3-8-12-ST											15.5	28	500	62 65	607.9-SW14-SW16