

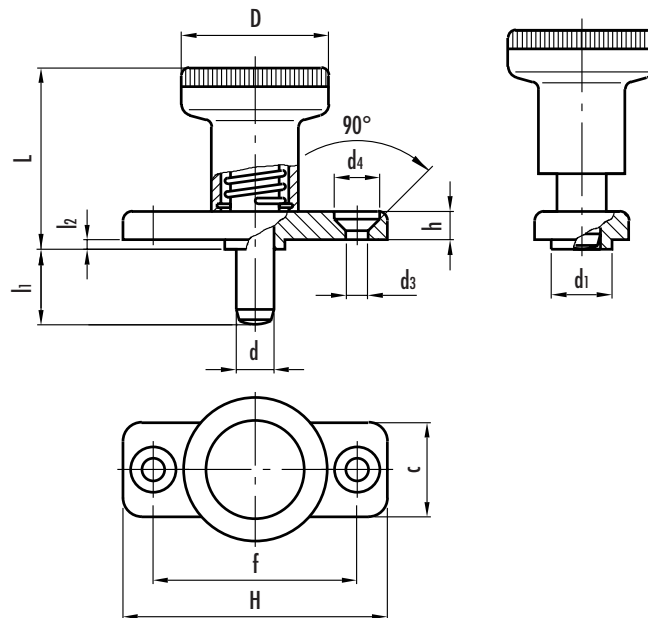
GN 608

Indexing plungers

- **Die-cast zinc alloy zinc-plated flange** with two holes for mounting with countersunk head screws.
- **Hardened steel plunger.**
- Black high impact strength polyamide-based (PA) technopolymer with matte finish **knurled knob**. Resistant to solvents, oils, greases and other chemical agents.

Matching hole for the plunger is suggested in H7 tolerance.

GN 608 indexing plungers have compact dimensions and are particularly suitable for mounting onto thin plates.



Standard elements	Main dimensions												Spring pressure		Tensile strength	Weight
	$d \begin{smallmatrix} -0.02 \\ -0.04 \end{smallmatrix}$	H	c	$d_1 \begin{smallmatrix} -0.02 \\ -0.1 \end{smallmatrix}$	D	d_3	d_4	f	L	l_1	$l_2 \begin{smallmatrix} -0.15 \end{smallmatrix}$	h	Preload [N~]	Max. load [N~]	N	grams
GN 608-6-6 GN 608-6-14	6	40	18	10	25	4.3	8.3	30	31	6 14	2.5	4.5	8.5 8.5	22 22	400 400	36 42
GN 608-8-8 GN 608-8-18	8	46	20	12	31	5.3	10.4	34	36	8 18	2.5	5.5	15.5 15.5	28 28	500 500	59 66