

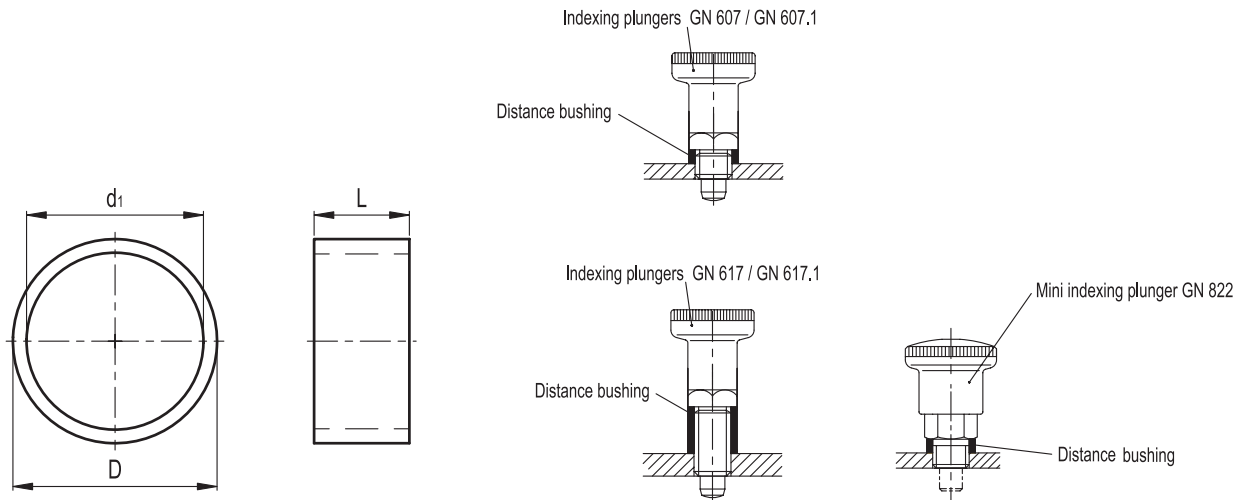


Distance bushings

- **Material**
Black-oxide steel.

Characteristics

Distance bushings GN 609 compensate for the body thread lengths on the indexing plungers to allow mounting through walls of varying thickness.



Standard elements	Main dimensions			For indexing plunger				Weight grams
	d1 H12	D-0.1	L±0.1	GN 822	GN 817	GN 617 GN 617.1	GN 607 GN 607.1	
GN 609-8-10-2	8	10	2	d = 4/5	d = 4	-	-	1
GN 609-8-10-3			3					1
GN 609-8-10-4			4					2
GN 609-8-10-6			6					2
GN 609-8-10-8			8					3
GN 609-8-10-10			10					3
GN 609-10-12-2	10	12	2	d = 6/7	d = 5	d = 5	-	1
GN 609-10-12-4			4					1
GN 609-10-12-6			6					2
GN 609-10-12-8			8					2
GN 609-10-12-10			10					3
GN 609-10-12-12			12					3
GN 609-12-14-2	12	14	2	-	d = 6	d = 6	-	1
GN 609-12-14-4			4					1
GN 609-12-14-6			6					2
GN 609-12-14-8			8					2
GN 609-12-17-2	12	17	2	-	-	-	d = 6	2
GN 609-12-17-4			4					3
GN 609-12-17-5			5					4
GN 609-16-17-4	16	17	4	-	d = 8/10	-	-	2
GN 609-16-17-6			6					4
GN 609-16-17-8			8					5
GN 609-16-17-10			10					6
GN 609-16-17-12			12					7
GN 609-16-19-2	16	19	2	-	-	d = 8	d = 8	1
GN 609-16-19-4			4					2
GN 609-16-19-6			6					4
GN 609-16-19-8			8					5
GN 609-16-19-10			10					6
GN 609-16-19-12			12					7