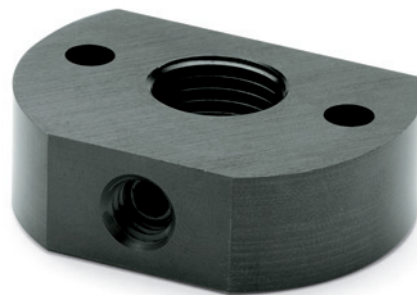


# GN 612.1

## Mounting blocks

- **Black oxide steel body.**
- Black oxide steel **set screw** GN 913.3-MS type with brass pad.

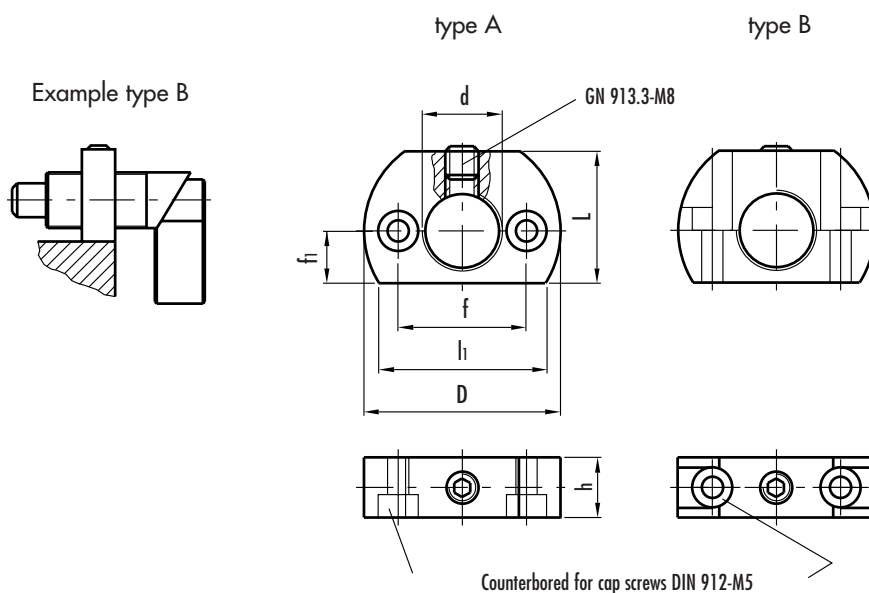
Mounting blocks GN 612.1 broaden the mounting possibilities and are an added feature for the lever indexing plungers GN 612 (page 406). They can also be used with indexing plungers GN 613-8 and GN 613-10 (page 392).



8

408

Indexing elements



Standard elements	Main dimensions							Weight
Description	d	D	L	h	l <sub>1</sub>	f ±0.1	f <sub>1</sub>	grams
GN 612.1-M16x1.5-A GN 612.1-M16x1.5-B	M16x1.5	46	33	15	37	32	13	90 100
GN 612.1-M20x1.5-A GN 612.1-M20x1.5-B	M20x1.5	46	33	15	37	32	13	95 110