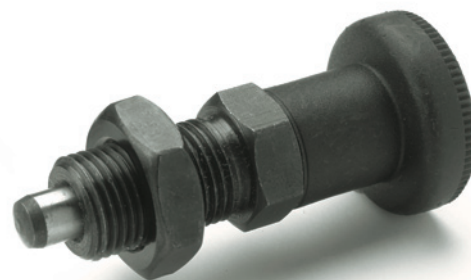


GN 617

Indexing plungers

- **Black oxide steel body.**
- **Hardened steel plunger.**
- Black high impact strength polyamide-based (PA) technopolymer with matte finish **knurled knob** (type A, AK). Resistant to solvents, oils, greases and other chemical agents.
- **Threaded drive rod** (type G, GK) for combination with knobs on customer's request or to link the rod to an operating mechanism of the machine.
- Black oxide steel **lock nut** (type AK, GK).



8

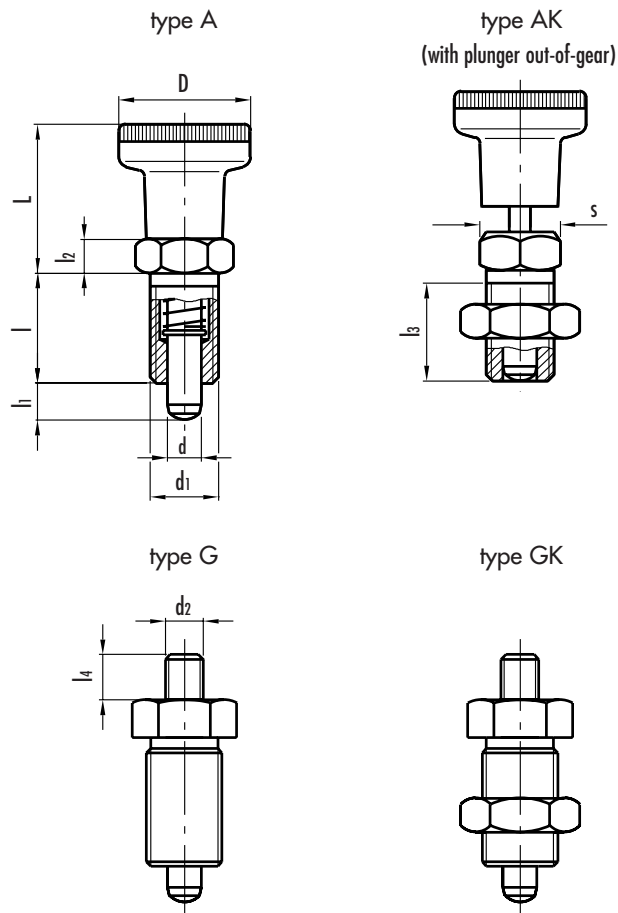
Matching hole for the plunger is suggested in H7 tolerance.

388

We can supply black oxide distance bushings GN 609 (see page 405) for making up for the length of the thread in case the plunger is assembled onto thin sheets.

GN 617 indexing plungers are used where positioning operations are required.

Indexing elements



Standard elements	Main dimensions											Spring pressure		Weight grams
	Description	d ^{-0.02 -0.04}	L	d1 6g	d2	D	l	l1	l2	l3	l4	s	Preload [N~]	
GN 617-5-A	5	23	M10x1	-	21	17	5	5	15	-	12	7	17	18
GN 617-6-A	6	28.5	M12x1.5	-	25	20	6	6	17	-	14	9	24	32
GN 617-8-A	8	35	M16x1.5	-	31	26	8	8	23	-	19	11	30	70
GN 617-10-A	10	37	M20x1.5	-	31	33	10	10	30	-	22	19	45	110
GN 617-5-AK	5	23	M10x1	-	21	17	5	5	15	-	12	7	17	24
GN 617-6-AK	6	28.5	M12x1.5	-	25	20	6	6	17	-	14	9	24	42
GN 617-8-AK	8	35	M16x1.5	-	31	26	8	8	23	-	19	11	30	90
GN 617-10-AK	10	37	M20x1.5	-	31	33	10	10	30	-	22	19	45	143
GN 617-5-G	5	23	M10x1	M5	21	17	5	5	15	6	12	7	17	15
GN 617-6-G	6	28.5	M12x1.5	M6	25	20	6	6	17	10	14	9	24	25
GN 617-8-G	8	35	M16x1.5	M8	31	26	8	8	23	12	19	11	30	53
GN 617-10-G	10	37	M20x1.5	M8	31	33	10	10	30	12	22	19	45	98
GN 617-5-GK	5	23	M10x1	M5	21	17	5	5	15	6	12	7	17	22
GN 617-6-GK	6	28.5	M12x1.5	M6	25	20	6	6	17	10	14	9	24	35
GN 617-8-GK	8	35	M16x1.5	M8	31	26	8	8	23	12	19	11	30	72
GN 617-10-GK	10	37	M20x1.5	M8	31	33	10	10	30	12	22	19	45	129