

GN 617.1

Indexing plungers with rest position

- Black oxide steel body.
- Hardened steel plunger.
- Black high impact strength polyamide-based (PA) technopolymer with matte finish **knurled knob**. Resistant to solvents, oils, greases and other chemical agents.
- Black oxide steel **lock nut** (type AK).



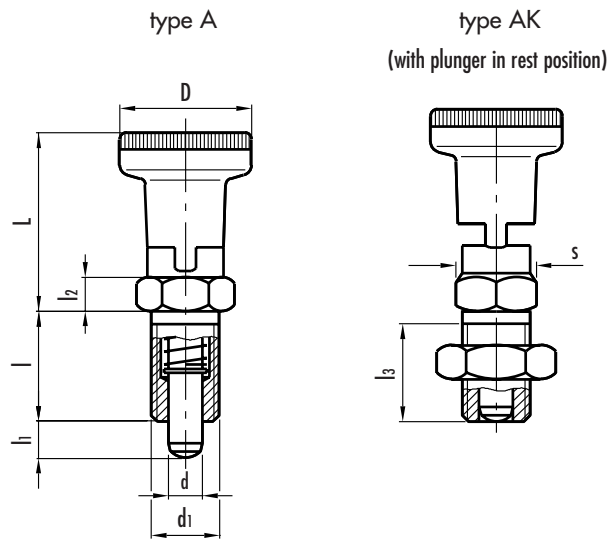
Matching hole for the plunger is suggested in H8 tolerance.

We can supply black oxide distance bushings GN 609 (see page 405) for making up for the length of the thread in case the plunger is assembled onto thin sheets.

GN 617.1 indexing plungers with rest position are used in applications where the plunger can be locked in the retracted position.

8
390

Indexing elements



| Standard elements | Main dimensions | | | | | | | | | Spring pressure | | Weight grams |
|-------------------|-----------------|------------------------------|---------|-------|----|----|----|----|----|-----------------|-----------------|-----------------|
| | Description | d ^{-0.02 -0.04} | L | d1 6g | D | l | l1 | l2 | l3 | s | Preload [N~] | |
| GN 617.1-5-A | 5 | 29 | M10x1 | 21 | 17 | 5 | 5 | 15 | 12 | 7 | 17 | 23 |
| GN 617.1-6-A | 6 | 35 | M12x1.5 | 25 | 20 | 6 | 6 | 17 | 14 | 9 | 24 | 34 |
| GN 617.1-8-A | 8 | 42.5 | M16x1.5 | 31 | 26 | 7 | 8 | 23 | 19 | 11 | 30 | 79 |
| GN 617.1-10-A | 10 | 48 | M20x1.5 | 31 | 33 | 10 | 10 | 30 | 22 | 19 | 45 | 130 |
| GN 617.1-5-AK | 5 | 29 | M10x1 | 21 | 17 | 5 | 5 | 15 | 12 | 7 | 17 | 30 |
| GN 617.1-6-AK | 6 | 35 | M12x1.5 | 25 | 20 | 6 | 6 | 17 | 14 | 9 | 24 | 48 |
| GN 617.1-8-AK | 8 | 42.5 | M16x1.5 | 31 | 26 | 7 | 8 | 23 | 19 | 11 | 30 | 91 |
| GN 617.1-10-AK | 10 | 48 | M20x1.5 | 31 | 33 | 10 | 10 | 30 | 22 | 19 | 45 | 163 |