

# GN 618

## Indexing plungers

- **Black oxide steel smooth body**, welding quality.
- **Hardened steel plunger.**
- Black high impact strength polyamide-based (PA) technopolymer with matte finish **knurled knob** (type A). Resistant to solvents, oils, greases and other chemical agents.
- **Threaded drive rod** (type G) for combination with a knob on customer's request or to link the rod to an operating mechanism of the machine.



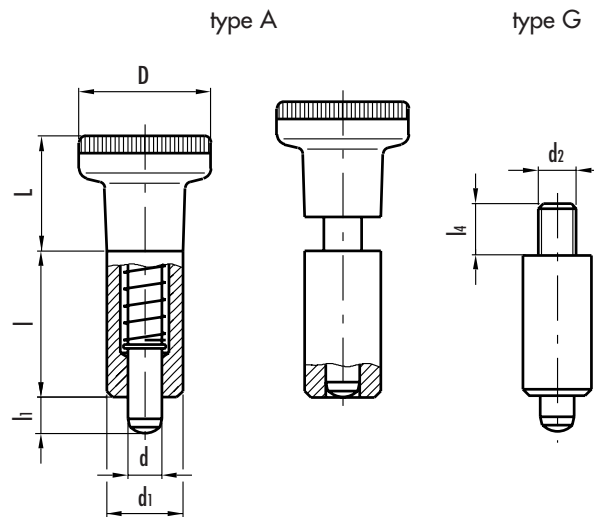
Matching hole for the plunger is suggested in G7 tolerance.

GN 618 indexing plungers with smooth body are used for positioning operations where welding or resin bonding are required.

8

404

Indexing elements



| Standard elements | Main dimensions  |      |                |    |    |    |    |    | Spring pressure |                | Weight |
|-------------------|--|------|----------------|----|----|----|----|----|-----------------|----------------|--------|
|                   | $d \begin{smallmatrix} -0.02 \\ -0.04 \end{smallmatrix}$ | L    | $d_1 \pm 0.09$ | d2 | D  | l  | l1 | l4 | Preload [N~]    | Max. load [N~] | grams  |
| GN 618-5-A        | 5  | 18   | 12             | -  | 21 | 22 | 5  | -  | 7               | 17             | 30     |
| GN 618-6-A        | 6  | 22.5 | 14             | -  | 25 | 26 | 6  | -  | 9               | 24             | 44     |
| GN 618-8-A        | 8  | 27   | 18             | -  | 31 | 34 | 8  | -  | 11              | 30             | 44     |
| GN 618-5-G        | 5  | 18   | 12             | M5 | 21 | 22 | 5  | 6  | 7               | 17             | 25     |
| GN 618-6-G        | 6  | 22.5 | 14             | M6 | 25 | 26 | 6  | 10 | 9               | 24             | 37     |
| GN 618-8-G        | 8  | 27   | 18             | M8 | 31 | 34 | 8  | 12 | 11              | 30             | 73     |