

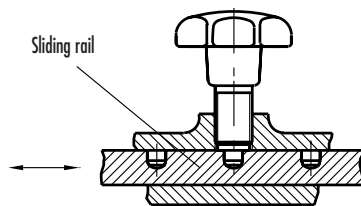
# GN 6336.7

## Hand knobs with indexing plungers

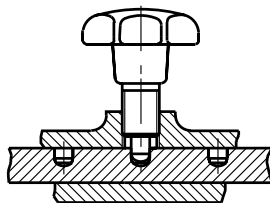
- Bright zinc-plated steel body.
- Hardened steel plunger.
- Black high impact strength polyamide-based (PA) technopolymer with matte finish DIN 6336 **lobe knob**. Resistant to solvents, oils, greases and other chemical agents.

GN 6336.7 hand knobs with plunger are used where adjustable stops have to be re-positioned, clamped and locked simultaneously. By pulling the hand knob the spring loaded plunger is withdrawn from its rest position. Since the hand knob is bonded to the hexagonal head of the plunger it can be used for either clamping or unclamping.

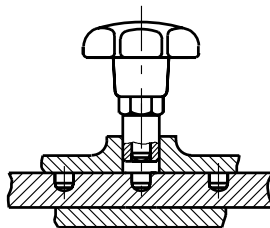
Matching hole for the plunger is suggested in H7 tolerance.



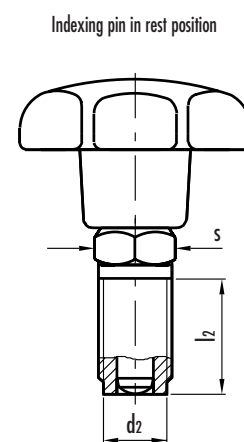
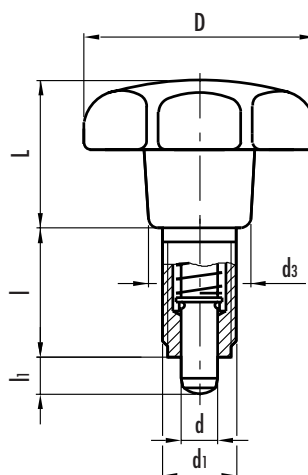
Sliding rail held in position by indexing plunger and locked.



Uncompleted position, indexing pin still engaged.



Uncompleted, indexing pin in rest position; sliding rail can be moved.



| Standard elements      | Main dimensions |    |         |      |      |    |                              |   |    |    | Spring pressure |              | Weight         |
|------------------------|-----------------|----|---------|------|------|----|------------------------------|---|----|----|-----------------|--------------|----------------|
|                        | Description     | D  | L       | d1   | d2   | d3 | d <sup>-0.02<br/>-0.04</sup> | l | l1 | l2 | s               | Preload [N~] | Max. load [N~] |
| GN 6336.7-32-M10x1.5   | 32              | 20 | M10x1   | 8.6  | 15.5 | 5  | 19                           | 5 | 17 | 10 | 7               | 17           | 21             |
| GN 6336.7-40-M12x1.5-6 | 40              | 25 | M12x1.5 | 9.9  | 19   | 6  | 21                           | 6 | 19 | 12 | 9               | 24           | 35             |
| GN 6336.7-50-M16x1.5-8 | 50              | 32 | M16x1.5 | 13.9 | 22.5 | 8  | 28                           | 8 | 26 | 16 | 11              | 30           | 75             |