

GN 817

Indexing plungers

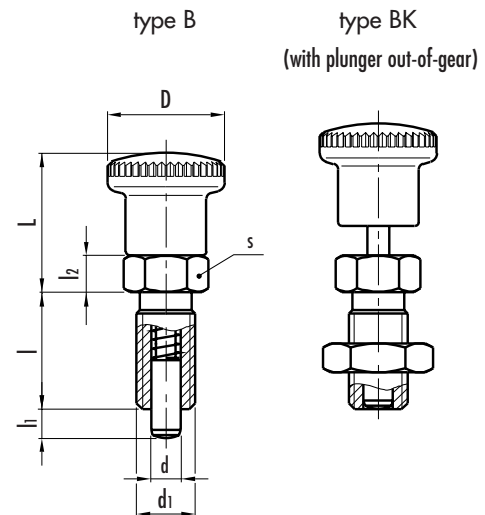
- **Black oxide steel** body.
- **Hardened ground steel** plunger.
- Black high impact strength polyamide-based (PA) technopolymer with matte finish **knurled knob** (type B, BK). Resistant to solvents, oils, greases and other chemical agents.
- Black high-impact-strength special technopolymer with matte-finish **knurled keyed knob** (type C, CK). Resistant to solvents, oils, greases and other chemical agents.
- **Threaded drive rod** (type G, GK) for combination with knobs on customer's request or to link the rod to an operating mechanism of the machine.
- Black oxide steel **lock nut**.



GN 817 indexing plungers offer the following advantages:

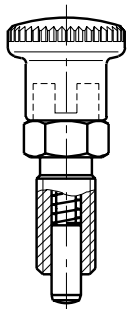
- two retracting strokes (l1) per plunger Ø
- identical small dimensions l for types B and C
- retracting mechanism (type C) is shrouded in part
- defined thread length by an undercut at the end of the thread.

Type C with keyed knob is used in all the applications where the plunger must not protrude continually. In that case the knob is retracted and afterwards turned by 90°. A notch is provided for the key to prevent the plunger from turning by error or vibration.

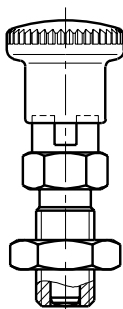


Standard elements	Main dimensions											Spring pressure		Weight	
	Description	d ^{-0.02 -0.05}	L	d1	d2	d3	D	l	l1 min.	l2	l3	l4	s		Preload [N~]
GN 817-4-4-B	4	19	M8x1	-	-	16	16	4	5	-	-	10	4.5	12	11
GN 817-4-6-B	4	19	M8x1	-	-	16	16	6	5	-	-	10	4	12.5	11
GN 817-5-5-B	5	22	M10x1	-	-	19	18	5	6	-	-	12	5	15	19
GN 817-5-8-B	5	22	M10x1	-	-	19	18	8	6	-	-	12	5	18	19
GN 817-6-6-B	6	26	M12x1.5	-	-	23	22	6	6	-	-	14	6.5	19	32
GN 817-6-9-B	6	26	M12x1.5	-	-	23	22	9	6	-	-	14	6	25	32
GN 817-8-8-B	8	32	M16x1.5	-	-	28	26	8	8	-	-	17	8.5	26	68
GN 817-8-12-B	8	32	M16x1.5	-	-	28	26	12	8	-	-	17	8.5	28	67
GN 817-10-12-B	10	32	M16x1.5	-	-	28	26	12	8	-	-	17	9.5	38	69
GN 817-4-4-BK	4	19	M8x1	-	-	16	16	4	5	-	-	10	4.5	12	12
GN 817-4-6-BK	4	19	M8x1	-	-	16	16	6	5	-	-	10	4	12.5	12
GN 817-5-5-BK	5	22	M10x1	-	-	19	18	5	6	-	-	12	5	15	20
GN 817-5-8-BK	5	22	M10x1	-	-	19	18	8	6	-	-	12	5	18	20
GN 817-6-6-BK	6	26	M12x1.5	-	-	23	22	6	6	-	-	14	6.5	19	33
GN 817-6-9-BK	6	26	M12x1.5	-	-	23	22	9	6	-	-	14	6	25	33
GN 817-8-8-BK	8	32	M16x1.5	-	-	28	26	8	8	-	-	17	8.5	26	69
GN 817-8-12-BK	8	32	M16x1.5	-	-	28	26	12	8	-	-	17	8.5	28	69
GN 817-10-12-BK	10	32	M16x1.5	-	-	28	26	12	8	-	-	17	9.5	38	71

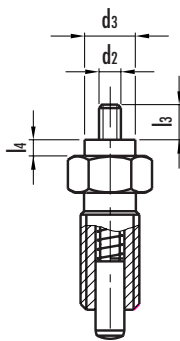
type C



type CK

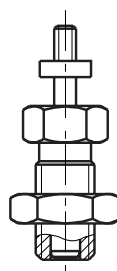
(with plunger out-of-gear
knob rotated by 90°)

type G



type GK

(with plunger out-of-gear)



Standard elements	Main dimensions												Spring pressure		Weight
	Description	d ^{-0.02 +0.05}	L	d1	d2	d3	D	l	l1 min.	l2	l3	l4	s	Preload [N~]	Max. load [N~]
GN 817-4-4-C	4	19	M8x1	-	-	16	16	4	5	-	-	10	4.5	12	12
GN 817-4-6-C	4	19	M8x1	-	-	16	16	6	5	-	-	10	4	12.5	13
GN 817-5-5-C	5	22	M10x1	-	-	19	18	5	6	-	-	12	5	15	21
GN 817-5-8-C	5	22	M10x1	-	-	19	18	8	6	-	-	12	5	18	22
GN 817-6-6-C	6	26	M12x1.5	-	-	23	22	6	6	-	-	14	6.5	19	35
GN 817-6-9-C	6	26	M12x1.5	-	-	23	22	9	6	-	-	14	6	25	36
GN 817-8-8-C	8	32	M16x1.5	-	-	28	26	8	8	-	-	17	8.5	26	73
GN 817-8-12-C	8	32	M16x1.5	-	-	28	26	12	8	-	-	17	8.5	28	71
GN 817-10-12-C	10	32	M16x1.5	-	-	28	26	12	8	-	-	17	9.5	38	74
GN 817-4-4-CK	4	19	M8x1	-	-	16	16	4	5	-	-	10	4.5	12	13
GN 817-4-6-CK	4	19	M8x1	-	-	16	16	6	5	-	-	10	4	12.5	13
GN 817-5-5-CK	5	22	M10x1	-	-	19	18	5	6	-	-	12	5	15	22
GN 817-5-8-CK	5	22	M10x1	-	-	19	18	8	6	-	-	12	5	18	22
GN 817-6-6-CK	6	26	M12x1.5	-	-	23	22	6	6	-	-	14	6.5	19	36
GN 817-6-9-CK	6	26	M12x1.5	-	-	23	22	9	6	-	-	14	6	25	37
GN 817-8-8-CK	8	32	M16x1.5	-	-	28	26	8	8	-	-	17	8.5	26	75
GN 817-8-12-CK	8	32	M16x1.5	-	-	28	26	12	8	-	-	17	8.5	28	72
GN 817-10-12-CK	10	32	M16x1.5	-	-	28	26	12	8	-	-	17	9.5	38	77
GN 817-4-4-G	4	19	M8x1	M3	7	16	16	4	5	4.5	2.5	10	4.5	12	10
GN 817-4-6-G	4	19	M8x1	M3	7	16	16	6	5	4.5	2.5	10	4	12.5	10
GN 817-5-5-G	5	22	M10x1	M4	8	19	18	5	6	5.5	3	12	5	15	17
GN 817-5-8-G	5	22	M10x1	M4	8	19	18	8	6	5.5	3	12	5	18	17
GN 817-6-6-G	6	26	M12x1.5	M5	9	23	22	6	6	7	3.5	14	6.5	19	29
GN 817-6-9-G	6	26	M12x1.5	M5	9	23	22	9	6	7	3.5	14	6	25	29
GN 817-8-8-G	8	32	M16x1.5	M6	10	28	26	8	8	8.5	4	17	8.5	26	61
GN 817-8-12-G	8	32	M16x1.5	M6	10	28	26	12	8	8.5	4	17	8.5	28	60
GN 817-10-12-G	10	32	M16x1.5	M6	10	28	26	12	8	8.5	4	17	9.5	38	62
GN 817-4-4-GK	4	19	M8x1	M3	7	16	16	4	5	4.5	2.5	10	4.5	12	11
GN 817-4-6-GK	4	19	M8x1	M3	7	16	16	6	5	4.5	2.5	10	4	12.5	11
GN 817-5-5-GK	5	22	M10x1	M4	8	19	18	5	6	5.5	3	12	5	15	18
GN 817-5-8-GK	5	22	M10x1	M4	8	19	18	8	6	5.5	3	12	5	18	18
GN 817-6-6-GK	6	26	M12x1.5	M5	9	23	22	6	6	7	3.5	14	6.5	19	30
GN 817-6-9-GK	6	26	M12x1.5	M5	9	23	22	9	6	7	3.5	14	6	25	30
GN 817-8-8-GK	8	32	M16x1.5	M6	10	28	26	8	8	8.5	4	17	8.5	26	62
GN 817-8-12-GK	8	32	M16x1.5	M6	10	28	26	12	8	8.5	4	17	8.5	28	62
GN 817-10-12-GK	10	32	M16x1.5	M6	10	28	26	12	8	8.5	4	17	9.5	38	64